

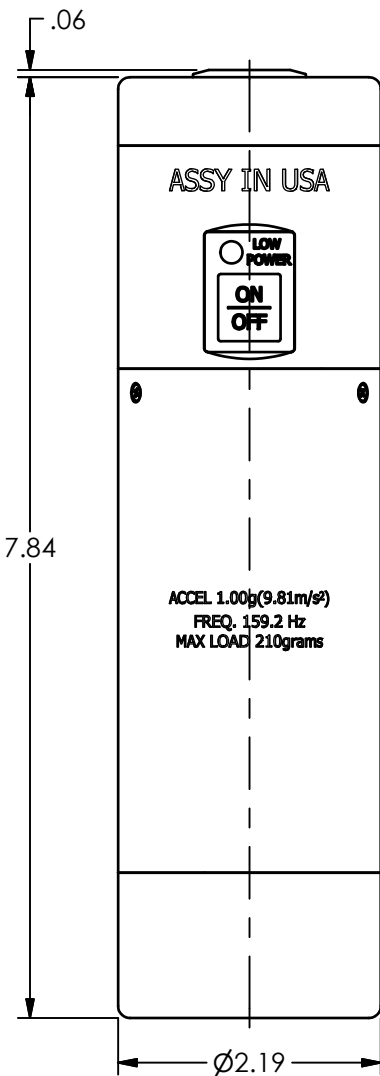
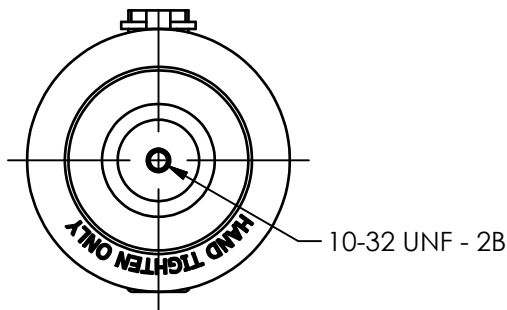
2

1

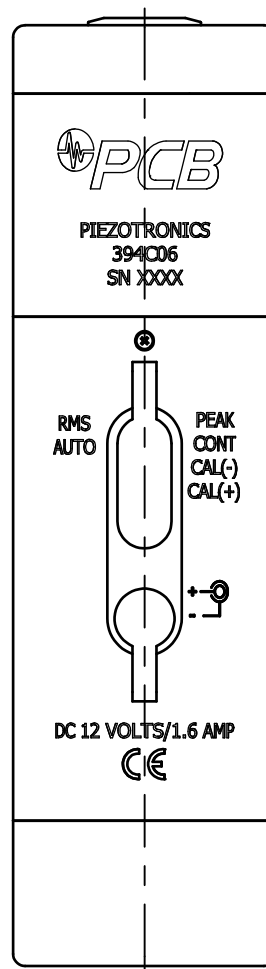
PCB Piezotronics Inc. claims proprietary rights in the information disclosed hereon. Neither it nor any reproduction thereof will be disclosed to others without the written consent of PCB Piezotronics Inc.

REVISIONS		
REV	DESCRIPTION	DIN
D	DC 12 VOLTS WAS DC 10 VOLTS	48673

5746



FRONT



REAR

UNLESS OTHERWISE SPECIFIED TOLERANCES ARE:		DRAWN		CHECKED		ENGINEER		 3425 WALDEN AVE. DEPEW, NY 14043 (716) 684-0001 E-MAIL: sales@pcb.com		
DIMENSIONS IN INCHES	DIMENSIONS IN MILLIMETERS [IN BRACKETS]	KRM	11/1/18	KRM	11/1/18	CPH	11/1/18			
DECIMALS XX ±.03 XXX ±.010	DECIMALS X ± 0.8 XX ± 0.25	TITLE OUTLINE DRAWING MODEL 394C06 HAND HELD CALIBRATOR							CODE IDENT. NO. 52681	DWG. NO. 5746
ANGLES ± 2 DEGREES	ANGLES ± 2 DEGREES								FILLETS AND RADII .003 - .005	FILLETS AND RADII 0.07 - 0.13

2

1