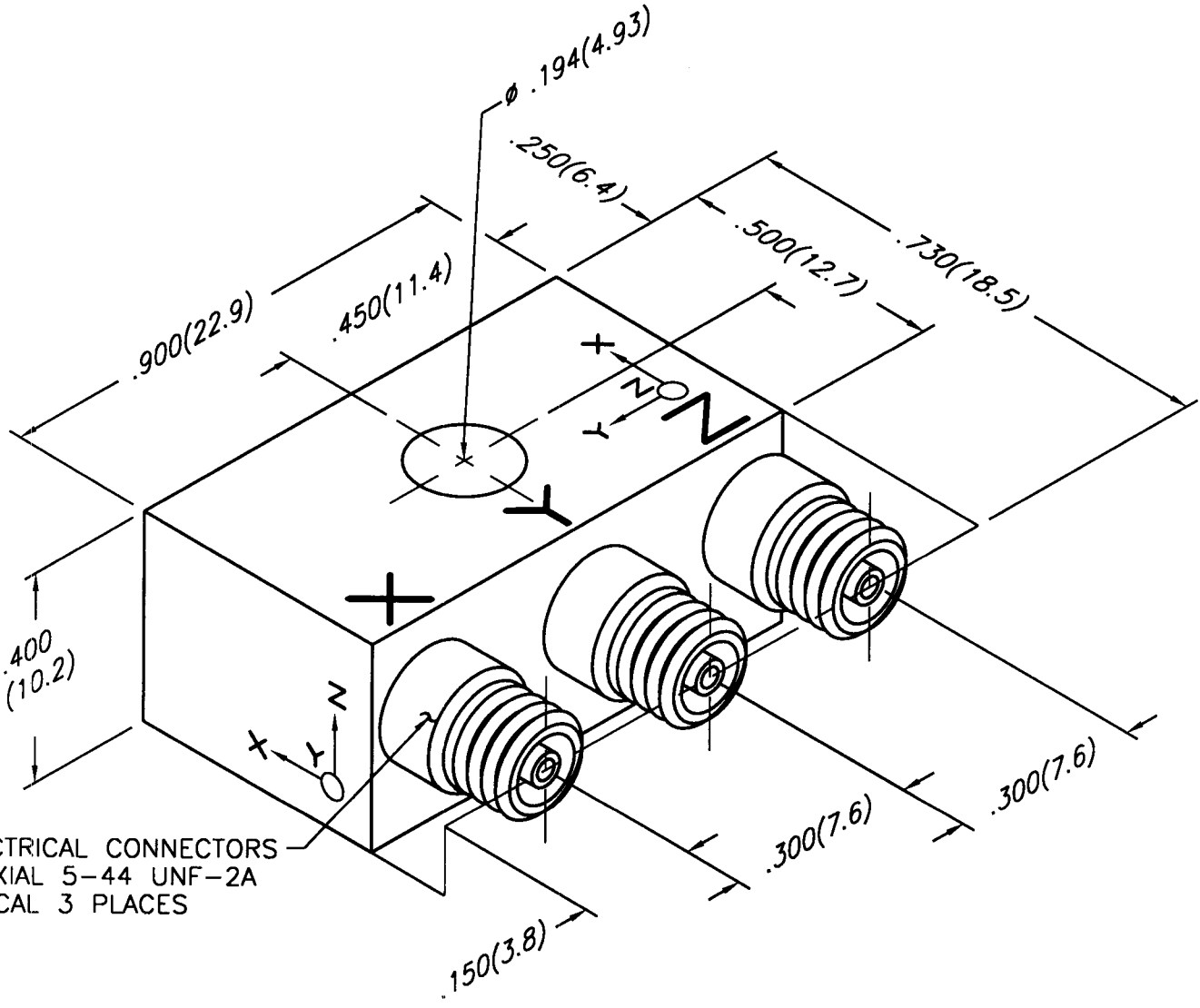


APPLICATION		
NEXT ASS'Y	USED ON	VAR

REVISIONS				
REV	DESCRIPTION	ECN	DATE	APP'D

11961

PCB Piezotronics Inc. claims proprietary rights in the information disclosed hereon. Neither it nor any reproduction thereof will be disclosed to others without written consent of PCB Piezotronics Inc.



ELECTRICAL CONNECTORS
COAXIAL 5-44 UNF-2A
TYPICAL 3 PLACES

UNLESS SPECIFIED TOLERANCES		DRAWN				MFG		PCB PIEZOTRONICS™	
DIMENSIONS IN INCHES	DIMENSIONS IN MILLIMETERS (IN PARENTHESIS)	DA	11/5/99	DA	11/5/99	3425 WALDEN AVE. DEPEW, NY 14043 (716) 684-0001 EMAIL: SALES@PCB.COM			
DECIMALS XX ± .01	DECIMALS XX ± 0.3	CHK'D	em	ENGR	MB	CODE IDENT. NO. 52681			
XXX ± .005	XXX ± 0.13	APP'D	R. Smith	SALES	CSA	DWC. NO. 11961			
ANGLES ± 2 DEGREES	ANGLES ± 2 DEGREES	TITLE				SCALE: 3 X SHEET 1 OF 1			
FILLETS AND RADII .003 - .005	FILLETS AND RADII (0.07 - 0.13)	OUTLINE DRAWING MODEL 356A70 ACCELEROMETER							
DD011 REV. B 03/13/98									