

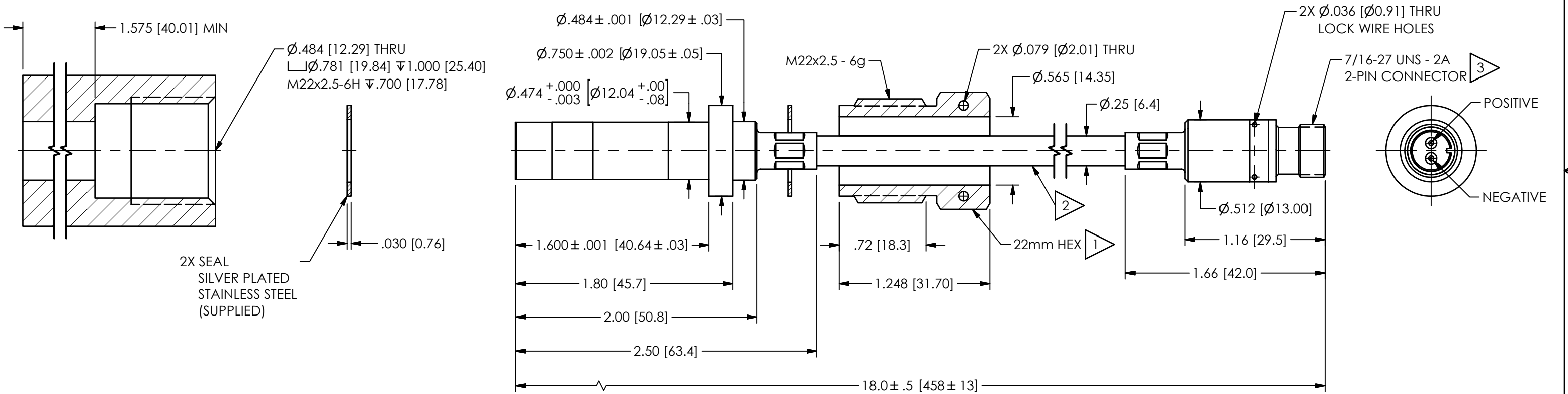
31375

PCB Piezotronics Inc. claims proprietary rights in the information disclosed hereon. Neither it nor any reproduction thereof will be disclosed to others without the written consent of PCB Piezotronics Inc.

RELATED DRAWING

NO MODIFICATIONS PERMITTED WITHOUT THE APPROVAL OF THE AUTHORIZED PERSON

REVISIONS		
REV	DESCRIPTION	DIN
L	UPDATED NOTE 1, ADDED NOTE 3	53313



- 3 TORQUE MATING CONNECTOR: 32 IN-LBS [362 N-cm] RECOMMENDED
- 2 MINIMUM BEND RADIUS = 2.0 [50.8]
- 1 MOUNTING TORQUE CLAMP NUT: 15-20 FT-LBS [20-27 N-m]

UNLESS OTHERWISE SPECIFIED TOLERANCES ARE:		DRAWN		CHECKED		ENGINEER	
DIMENSIONS IN INCHES		NJF	10/24/22	JDM	10/24/22	RF	10/24/22
DECIMALS XX $\pm .01$	DIMENSIONS IN MILLIMETERS [IN BRACKETS]	TITLE					
XXX $\pm .005$	DECIMALS X ± 0.3						
ANGLES ± 2 DEGREES	DECIMALS XX ± 0.13	INSTALLATION DRAWING MODEL 176M03 PRESSURE SENSOR					
CABLE TOLERANCES IN ENGLISH							
CABLE TOLERANCES IN METRIC							
FILLETS AND RADII							
.003 - .005		SCALE: 1.25X SHEET 1 OF 1					

PCB PIEZOTRONICS
AN AMPHENOL COMPANY

3425 WALDEN AVE. DEPEW, NY 14043
(716) 684-0001 E-MAIL: sales@pcb.com

CODE IDENT. NO. 52681 DWG. NO. 31375

SCALE: 1.25X SHEET 1 OF 1