

APPLICATION

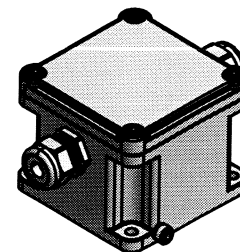
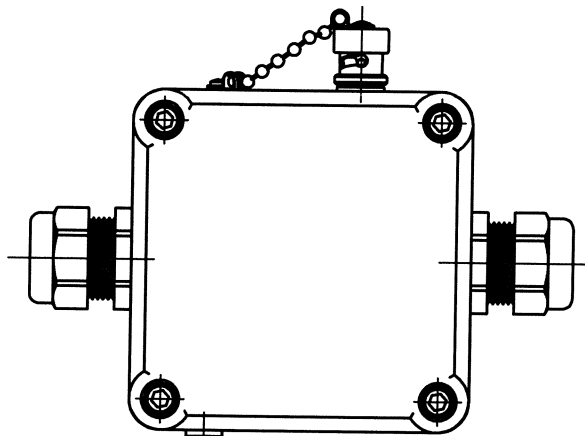
REVISIONS

NEXT ASSY	USED ON	VAR

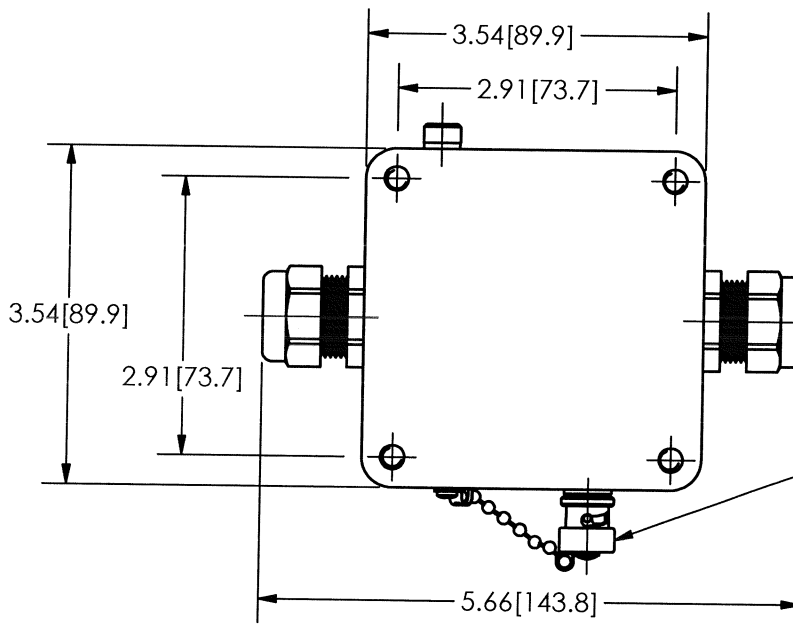
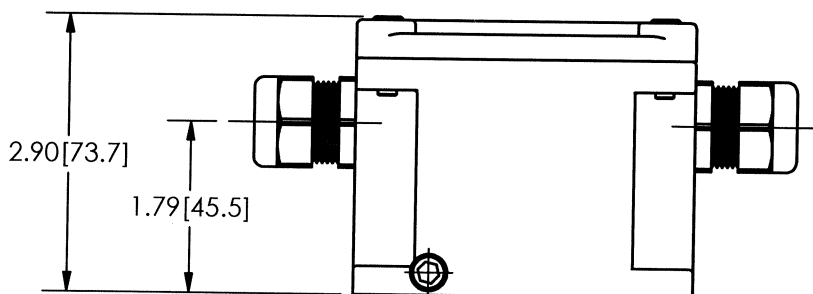
REV	DESCRIPTION	ECN	APP'D
NR	RELEASED TO DRAFTING		ECB 7/14/06

34677

PCB Piezotronics Inc. claims proprietary rights in the information disclosed herein. Neither it nor any reproduction thereof will be disclosed to others without the written consent of PCB Piezotronics Inc.



GROUND SCREW



BNC JACK W/COVER FOR ANALOG VIBRATION SIGNAL OUTPUT

UNLESS OTHERWISE SPECIFIED TOLERANCES ARE:

DIMENSIONS IN INCHES	DIMENSIONS IN MILLIMETERS [IN BRACKETS]
DECIMALS XX ± .03	DECIMALS X ± 0.8
XXX ± .010	XX ± 0.25
ANGLES ± 2 DEGREES	ANGLES ± 2 DEGREES

DRAWN	DOM 7/14/06	MFG	Lab 7/14/06
CHK'D	ECB 7/14/06	ENGR	Lab 7/17/06
APP'D	N.A. 11/16/06	SALES	DOM 7/31/06
TITLE			

PCB PIEZOTRONICS^{INC.}
 3425 WALDEN AVE. DEPEW, NY 14043
 (716) 684-0001 E-MAIL: sales@pcb.com

OUTLINE DRAWING
 MODEL 685BXXXXA30
 ELECTRONIC VIBRATION SWITCH

CODE IDENT. NO. 52681	DWG. NO. 34677
SCALE: .5 X	SHEET 1 OF 1