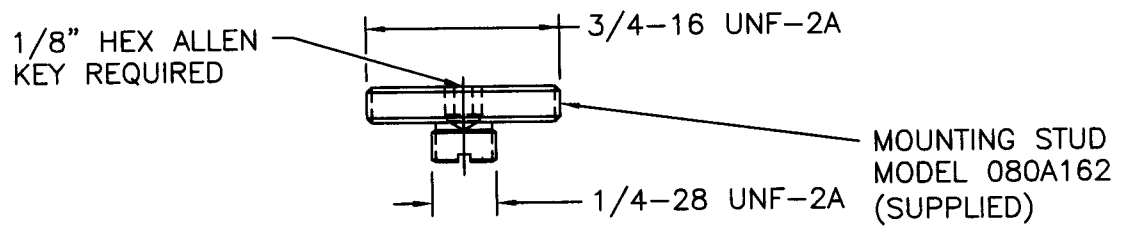
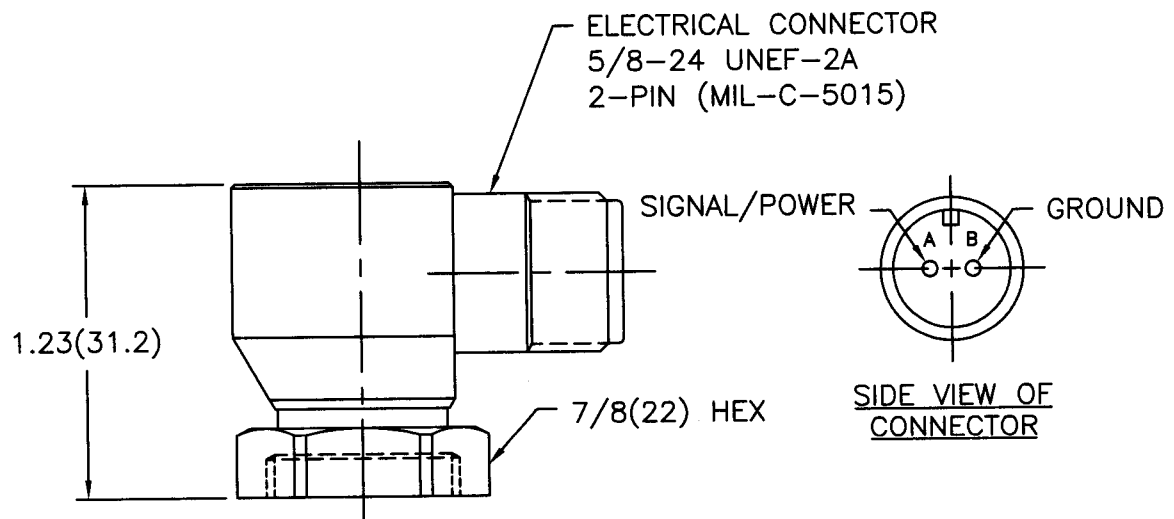
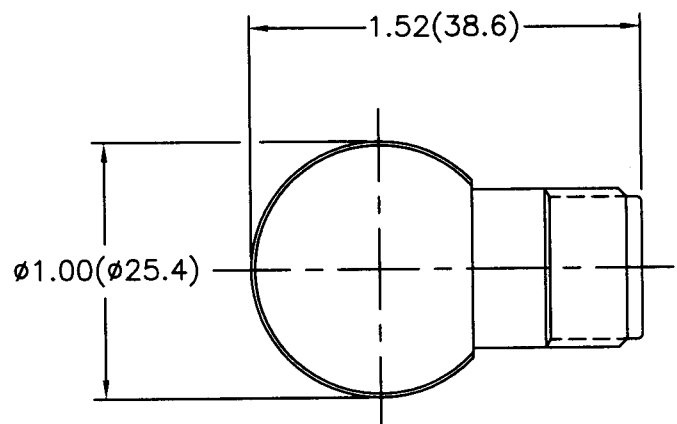


13585

PCB Piezotronics Inc. claims proprietary rights in the information disclosed herein. Neither it, nor any reproduction thereof will be disclosed to others without written consent of PCB Piezotronics Inc.

APPLICATION		
NEXT ASS'Y	USED ON	VAR

REVISIONS				
REV	DESCRIPTION	ECN	DATE	APP'D
A	UPDATE FOR UNIFORMITY	13113	2/21/01	<i>AM</i> 2/21



UNLESS SPECIFIED TOLERANCES	
DIMENSIONS IN INCHES	DIMENSIONS IN MILLIMETERS (IN PARENTHESIS)
DECIMALS XX ±.01	DECIMALS XX ±0.3
XXX ±.005	XXX ±0.13
ANGLES ±2 DEGREES	ANGLES ±2 DEGREES
FILLETS AND RADII .003 - .005	FILLETS AND RADII (0.07 - 0.13)

DRAWN	<i>MWS</i> 3/12/01	MFG	<i>P.L.</i> 3/21/01
CHK'D	<i>AM</i> 3/16/01	ENGR	<i>U.F.</i> 3/19/01
APP'D	<i>Ma</i> 3/22/01	SALES	<i>EGY</i> 3/23/01
TITLE OUTLINE DRAWING MODEL 607A01 ACCELEROMETER			

PCB PIEZOTRONICS™
 3425 WALDEN AVE. DEPEW, NY 14043
 (716) 684-0001 EMAIL: SALES@PCB.COM

CODE IDENT. NO. 52681
 DWG. NO. 13585

SCALE: 1.33X SHEET 1 OF 1