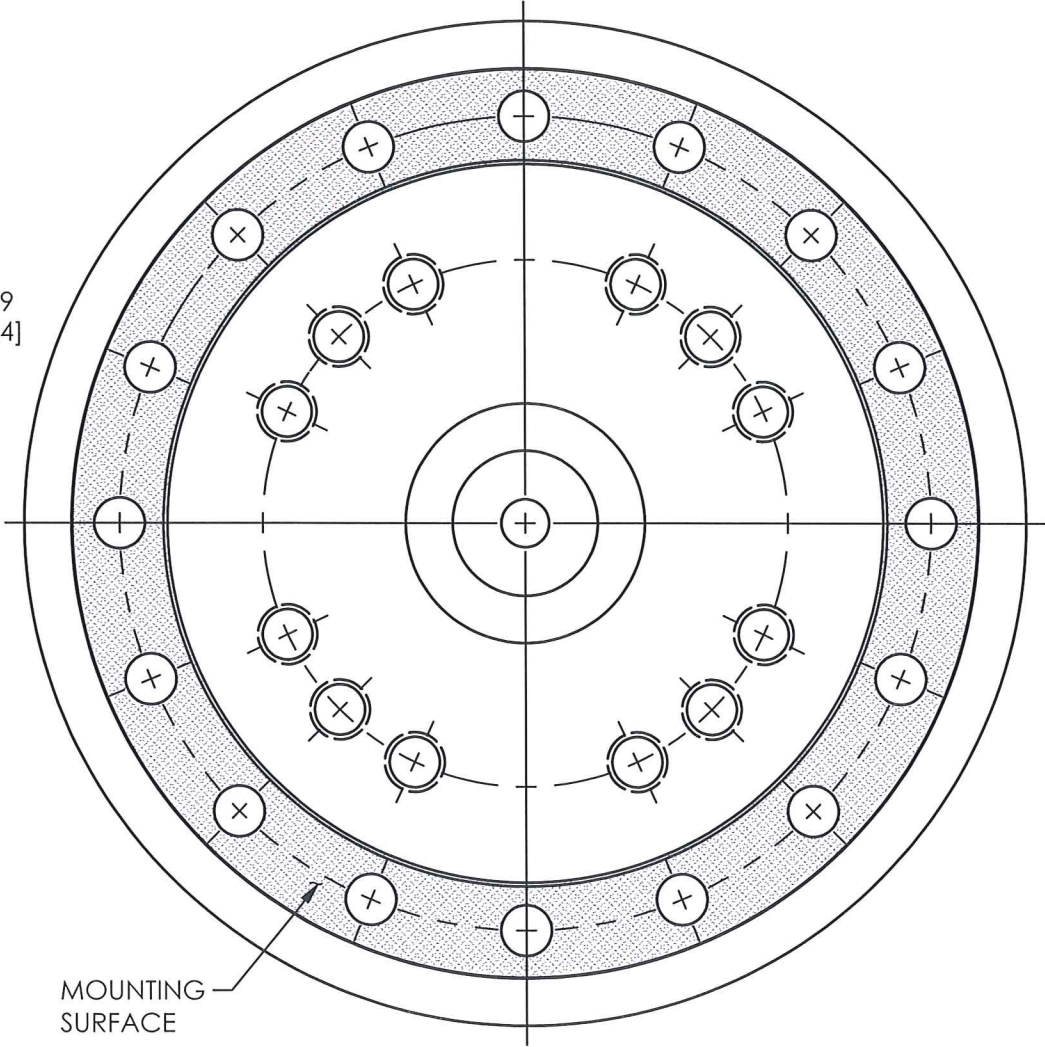
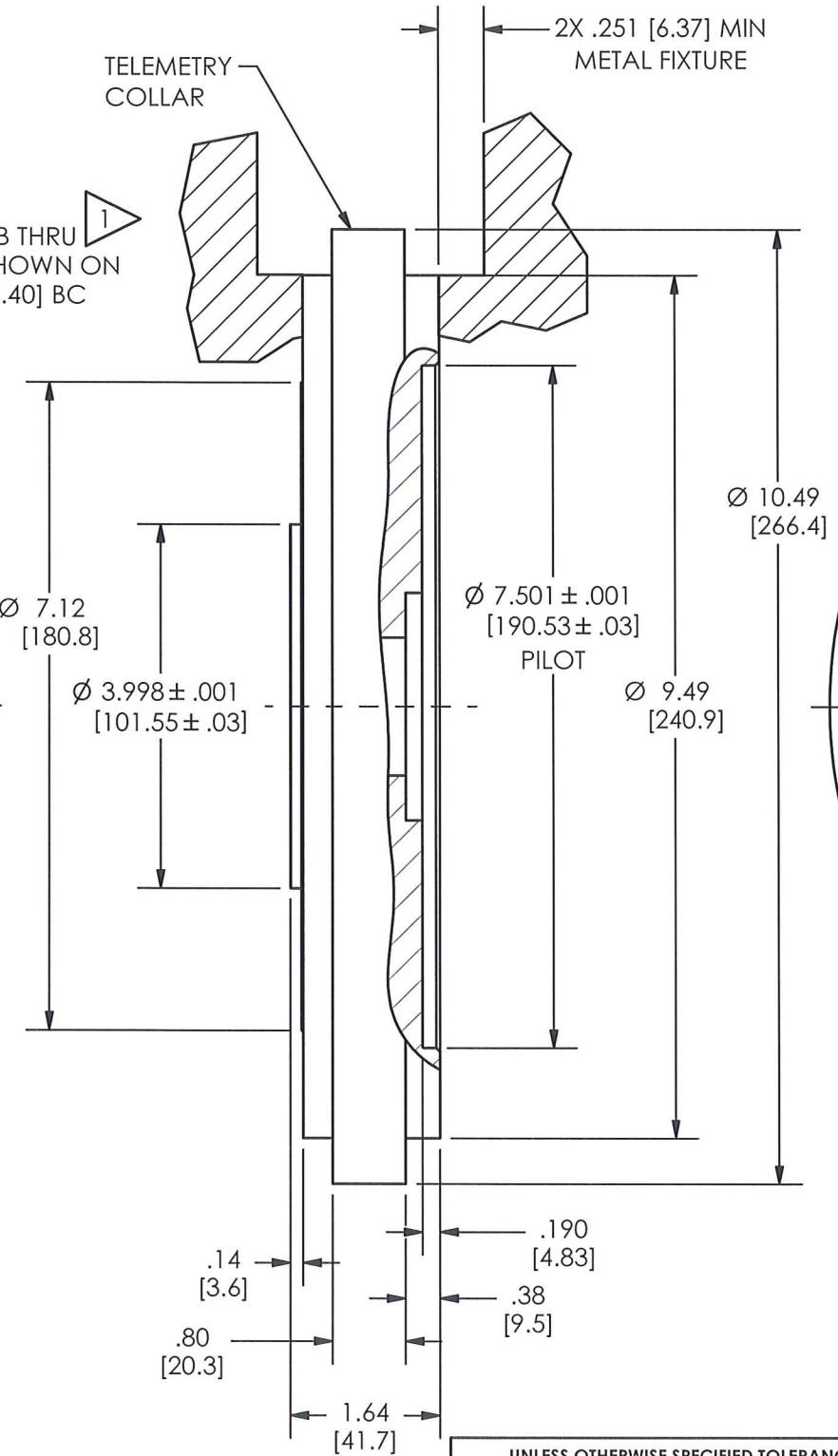
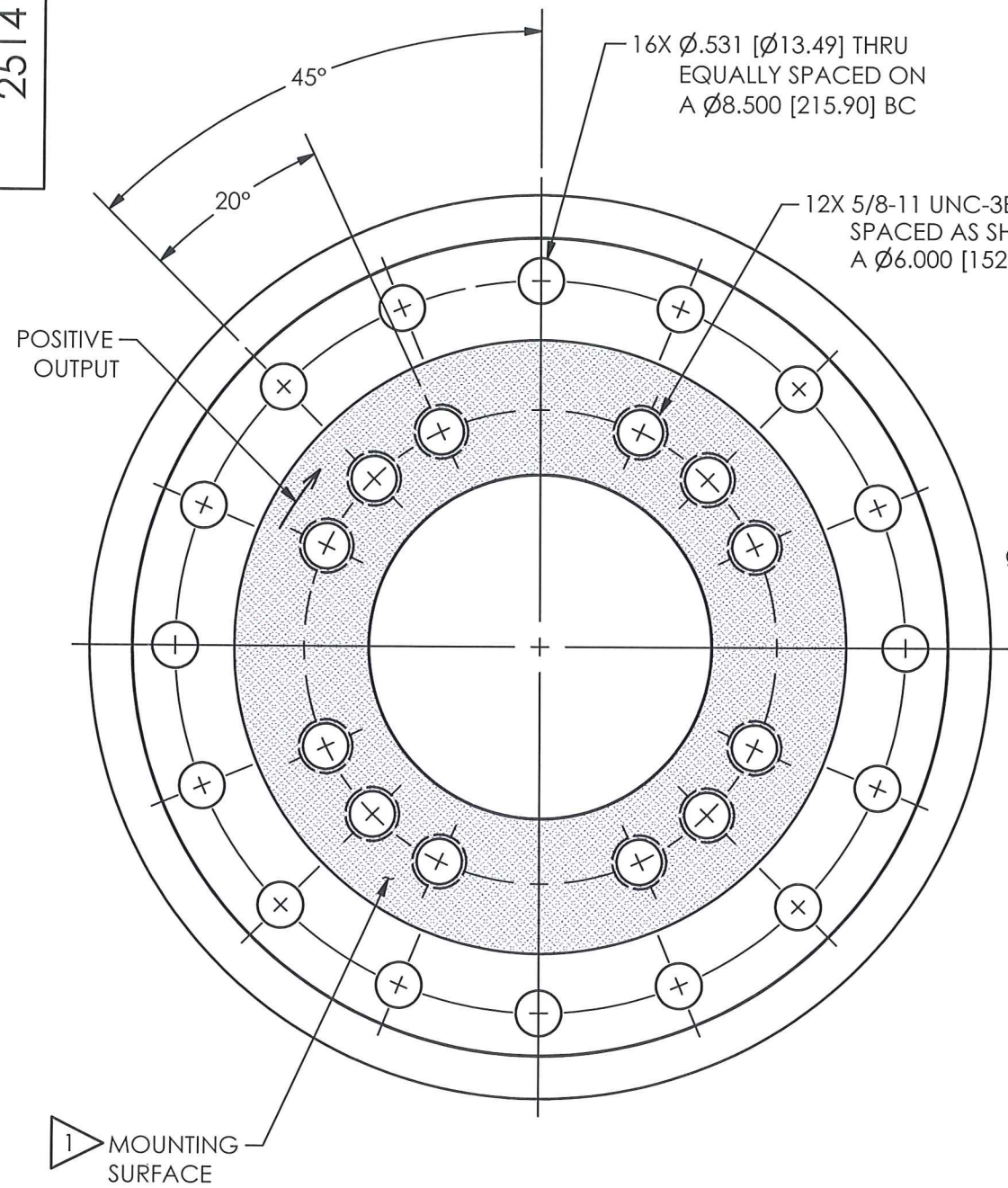


PCB Load & Torque Inc. claims proprietary rights in the information disclosed herein. Neither it nor any reproduction thereof will be disclosed to others without the written consent of PCB Load and Torque Inc.

25141

REVISIONS

REV	DESCRIPTION	DIN
F	UPDATED FORMAT	38170



1 BOLT JOINT SLIP TORQUE MAY BE INCREASED UP TO 110,000 IN-LBS BY APPLYING LOCTITE 638 TO THE INNER Ø6.000 BOLT CIRCLE MATING SURFACES, OR USING 5/8-11 UNC SUPERTANIUM BOLTS IN THE Ø6.000 BOLT CIRCLE, TORQUED TO 230 FT-LBS.

UNLESS OTHERWISE SPECIFIED TOLERANCES ARE:	
DIMENSIONS IN INCHES	DIMENSIONS IN MILLIMETERS [IN BRACKETS]
DECIMALS XX ±.01 XXX ±.005	DECIMALS X ±.03 XX ±.013
ANGLES ±.5 DEGREES	ANGLES ±.5 DEGREES
FILLETS AND RADII .015 MAX	FILLETS AND RADII 0.38 MAX

DRAWN	CHECKED	ENGINEER
<i>[Signature]</i>	<i>[Signature]</i>	JAM 1/13/12
TITLE		
OUTLINE DRAWING MODEL 5309 SERIES TORKDISC®		

**PCB LOAD & TORQUE**  
A PCB GROUP COMPANY

24350 Indoplex Circle, Farmington Hills, MI 48335  
(716) 684-0001 E-MAIL: linfo@pcbloadtorque.com

DWG. NO. **25141**

SCALE: .5 X SHEET 1 OF 1